

ChargePoint Home Flex

Specifications and Ordering Information

Ordering Information

Description		Model Number
Station and Cable Model	16A-50A, NEMA 6-50 plug, 7010.4 mm (23') Charging Cable	CPH50-NEMA6-50-L23
	16A-50A, NEMA 14-50 plug, 7010.4 mm (23') Charging Cable	CPH50-NEMA14-50-L23
Replacement Cable	7010.4 mm (23') Charging Cable	CPH50Cable-T1-50A-L23-F

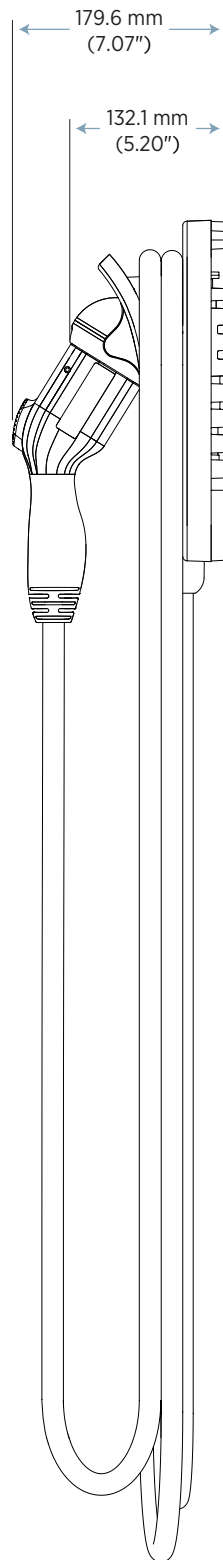
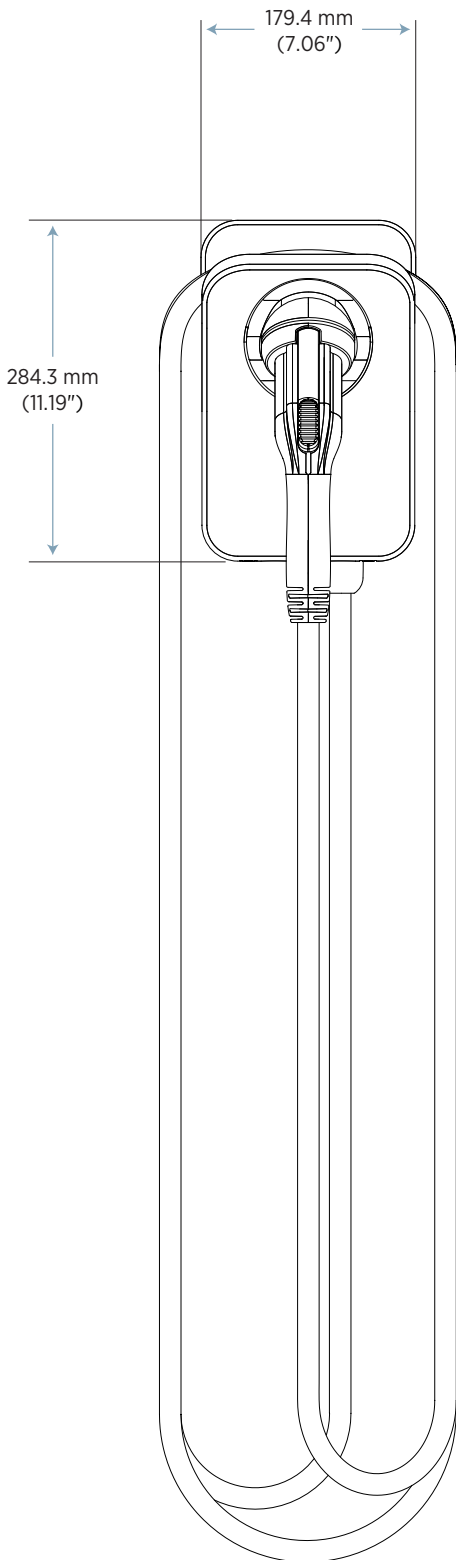


ChargePoint® Home Flex



Dimensions

Weight: 6.26kg (13.8lbs)



Specifications

Connector and Electrical

Input Cord	NEMA 6-50 or NEMA 14-50
AC Power Output Rating	Maximum 12 kW (240V AC * 50A). Output amperage adjustable via mobile app to 16A, 24A, 32A, 40A, 48A, 50A.
AC Power Input Rating	208/240V AC 60Hz single phase @ 16A, 24A, 32A, 40A, 48A, 50A
Required Service Panel Breaker	Dedicated Dual Pole rated for 125% of maximum load (ex: 50A breaker for 40A output)
Service Panel GFCI	External GFCI may conflict with internal GFCI (CCID). For hardwired installations, use a non-GFCI circuit breaker.
Power Wiring	3 Wire - L1, L2 plus Earth (no neutral)
Charging Cable Length	7010.4 mm (23')
Connector Type	SAE J1772™
Power Measurement Accuracy	+/- 2.0% from 2% to full scale
Power Report/Store Interval	15 minute aligned to hour

Safety and Connectivity Features

Ground Fault Detection	20 mA CCID with auto retry
Open Safety Ground Detection	Continuously monitors presence of safety (green wire) ground connection
Plug-Out Detection	Power terminated per SAE J1772 specifications
Local Area Network	2.4/5 GHz Wi-Fi (802.11 a/b/g/n)
Device storage	Local data storage with capacity of up to 90 days of charging session data (100 sessions) in case of interrupted network connection
Software Updates	Firmware updated over-the-air (OTA)

Safety and Operational Ratings

Enclosure Ratings	Type 3R per UL 50E
Safety and Compliance	UL and cUL listed product per UL2594, UL2231-1, UL2231-2. NEC Article 625 compliant For Canada CSA C22.2, No. 280, 281.1, 281.2, CEC
EMI Compliance	FCC Part 15 Class B
Storage Temperature	-40°C to 60°C (-40°F to 140°F) ambient
Operating Temperature	-30°C to 50°C (-22°F to 122°F) ambient
Operating Humidity	Up to 95% at 50°C (122°F) non-condensing
Non-Operating Humidity	Up to 95% at 50°C (122°F) non-condensing
ENERGY STAR® Certification	Yes

Indicators




WiFi LED	Yes
Fault Indicator per UL	Yes
Status LED	Yes

Installation

Install Software	Mobile App (iOS & Android)
Outdoor Installation	Hardwired installation or weatherproof NEMA receptacle Note: Required by code to install an outdoor rated GFCI breaker upstream for outdoor plug-in installation

ChargePoint, Inc. reserves the right to alter product offerings and specifications at any time without notice, and is not responsible for typographical or graphical errors that may appear in this document.

Contact Us

-  Visit chargepoint.com
-  Call +1.408.705.1992
-  Email sales@chargepoint.com



ChargePoint, Inc.
240 East Hacienda Avenue
Campbell, CA 95008-6617 USA

+1.408.841.4500 or
+1.877.370.3802 US and Canada toll-free
chargepoint.com

Copyright © 2019 ChargePoint, Inc. All rights reserved. CHARGEPOINT is a U.S. registered trademark/service mark, and an EU registered logo mark of ChargePoint, Inc. All other products or services mentioned are the trademarks, service marks, registered trademarks or registered service marks of their respective owners. DS-HomeFlex-00. September 2019. PN 73-001318-01-1.

