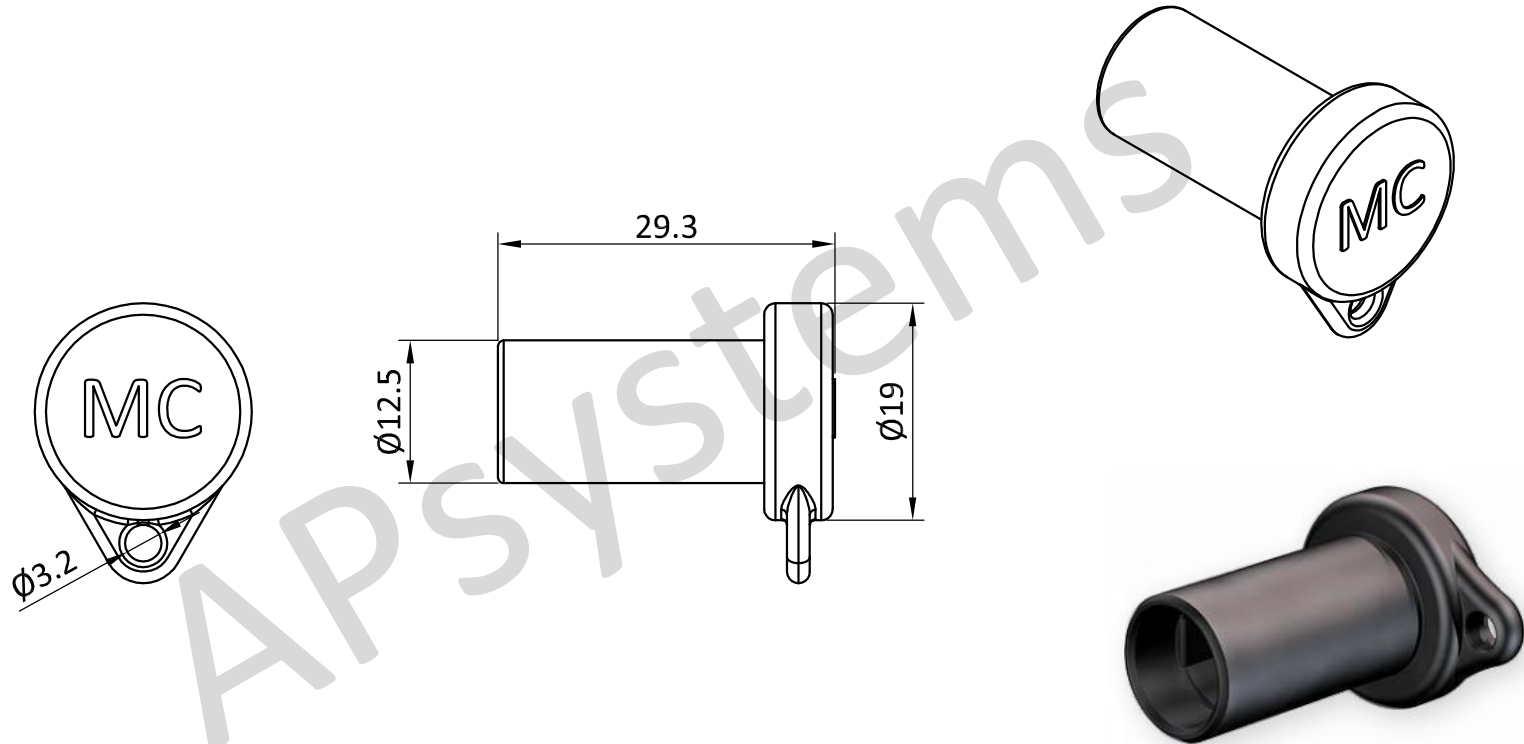




2060402006_DC Female Connector Cap(MC4)

RoHS

CHANGE NO.	CHANGE CONTENTS	REV.	NAME/DATE



- Notes:
1. Type: PV-BVK4;
 2. Degree of protection: IP67;
 3. Use blank cartons for packaging

TOLERANCES UNLESS OTHERWISE SPECIFIED ±0.5	MATERIAL TPE	 NAME DC Female Connector Cap (MC4)
DWN.	UNIT mm 	
CHK.	SHEET -- OF -- REV. 0.0	DRAWING NO. -