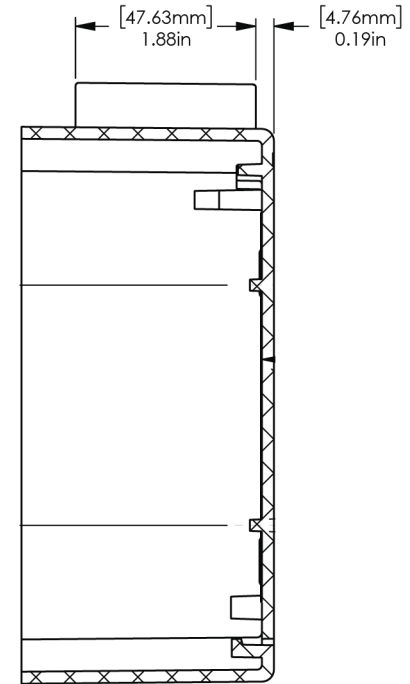
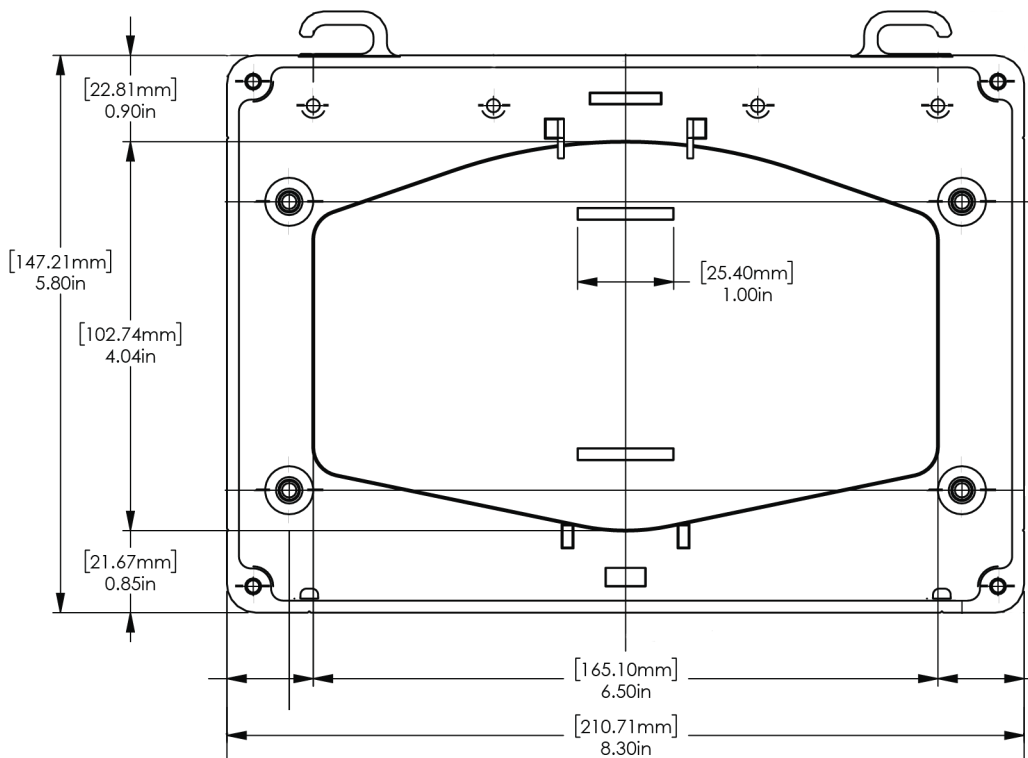


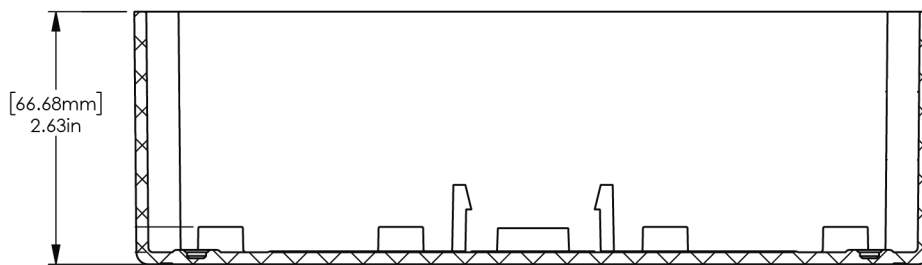
ITEM NO.	PART NUMBER	DESCRIPTION	QTY
1	JB-3 BODY	POLYCARBONATE WITH UV INHIBITORS	1
2	JB-3 LID	POLYCARBONATE WITH UV INHIBITORS	1
3	SS CLAMPS <i>OPTIONAL</i>	36-76 MM	2
4	#8 X 3/4" PHILLIPS PAN HEAD SCREW		5

SIZE B	DWG. NO. JB-3	REV
SCALE: 1:2	WEIGHT: 1.25 LBS	SHEET 1 OF 2

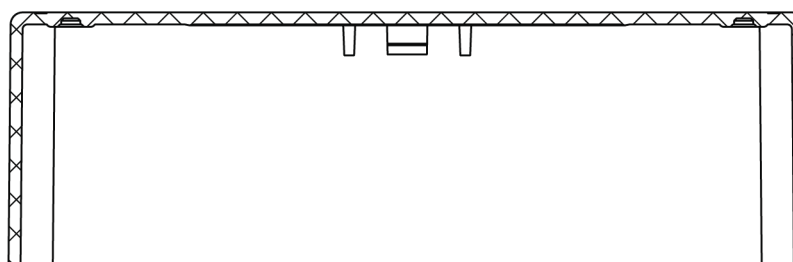
TORQUE SPECIFICATION:	15-20 LBS
CERTIFICATION:	UL STANDARD 1741, NEMA 3R
WEIGHT:	1.25 LBS



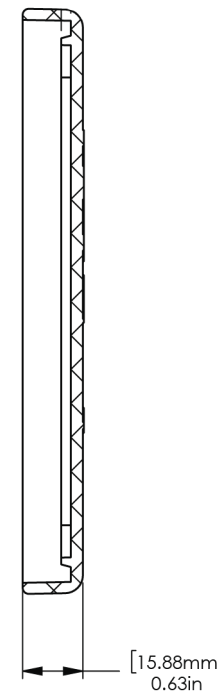
SECTION C-C



SECTION A-A



SECTION B-B



SECTION D-D

SIZE B	DWG. NO. JB-3	REV
SCALE: 1:2	WEIGHT: 1.25 LBS	SHEET 2 OF 2

