

DESCRIPTION:
SNAPNRACK, ARRAY EDGE SCREEN FASTENER

PART NUMBER(S):
242-04105

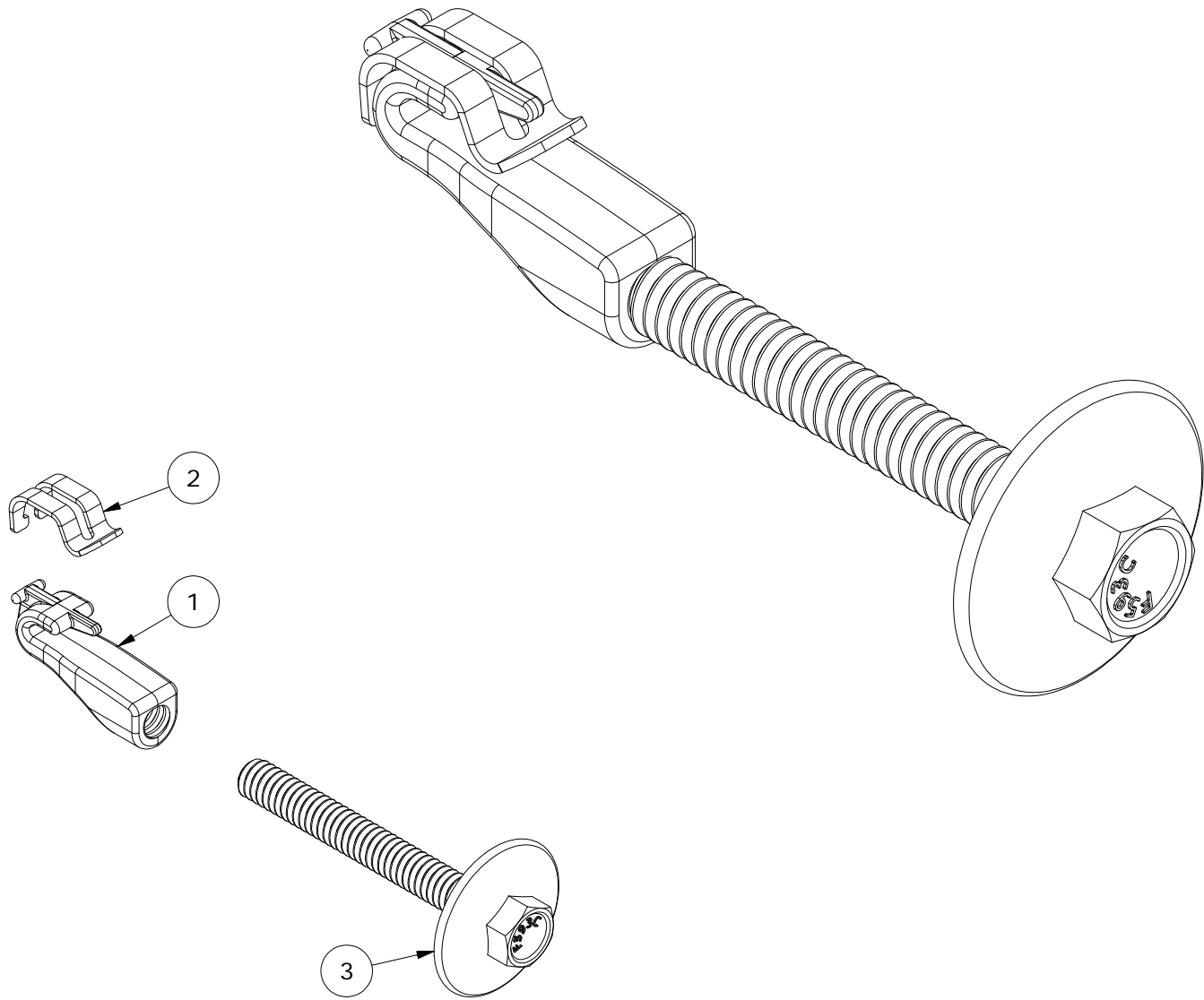
DRAWN BY:
 mwatkins

REVISION:
A

SnapNrack™
Solar Mounting Solutions

595 MARKET STREET, 29TH FLOOR • SAN FRANCISCO, CA 94105 USA
 PHONE (415) 580-6900 • FAX (415) 580-6902

THE INFORMATION IN THIS DRAWING IS CONFIDENTIAL AND PROPRIETARY. ANY REPRODUCTION, DISCLOSURE, OR USE THEREOF IS PROHIBITED WITHOUT THE WRITTEN CONSENT OF SUNRUN SOUTH LLC.



PARTS LIST		
ITEM	QTY	DESCRIPTION
1	1	SNAPNRACK, ARRAY EDGE SCREEN FASTENER, FRAME NUT
2	1	SNAPNRACK, ARRAY EDGE SCREEN FASTENER, RETAINER CLIP
3	1	SNAPNRACK, ARRAY EDGE SCREEN FASTENER, WIDE FLANGE BOLT

MATERIALS:	DIE CAST ZINC, STAINLESS STEEL
DESIGN LOAD (LBS):	N/A
ULTIMATE LOAD (LBS):	N/A
TORQUE SPECIFICATION:	6 LB-FT
CERTIFICATION:	N/A
WEIGHT (LBS):	0.06

DESCRIPTION:

SNAPNRACK, ARRAY EDGE SCREEN FASTENER

DRAWN BY:

mwatkins

REVISION:

A

SnapNrack™
Solar Mounting Solutions

PART NUMBER(S):

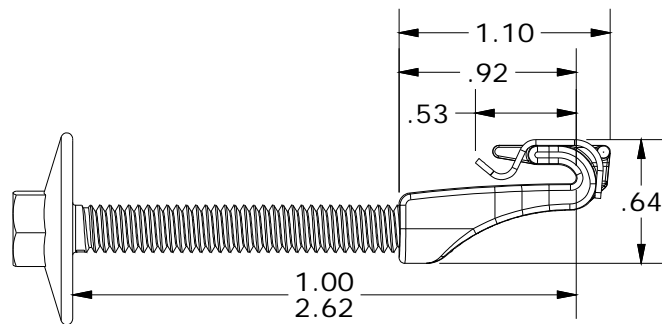
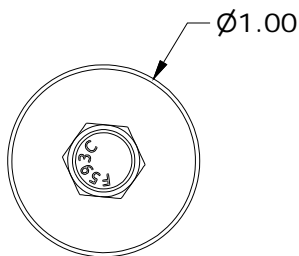
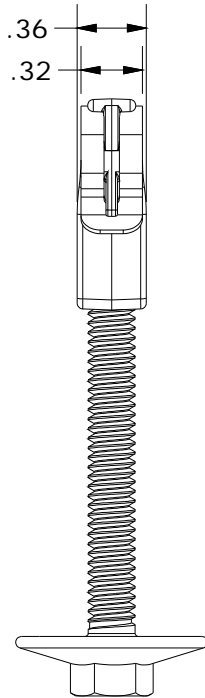
242-04105

595 MARKET STREET, 29TH FLOOR • SAN FRANCISCO, CA 94105 USA
PHONE (415) 580-6900 • FAX (415) 580-6902

THE INFORMATION IN THIS DRAWING IS CONFIDENTIAL AND PROPRIETARY. ANY
REPRODUCTION, DISCLOSURE, OR USE THEREOF IS PROHIBITED WITHOUT THE
WRITTEN CONSENT OF SUNRUN SOUTH LLC.

NOTE:

MAXIMUM FLANGE THICKNESS = 2.5MM



ALL DIMENSIONS IN INCHES