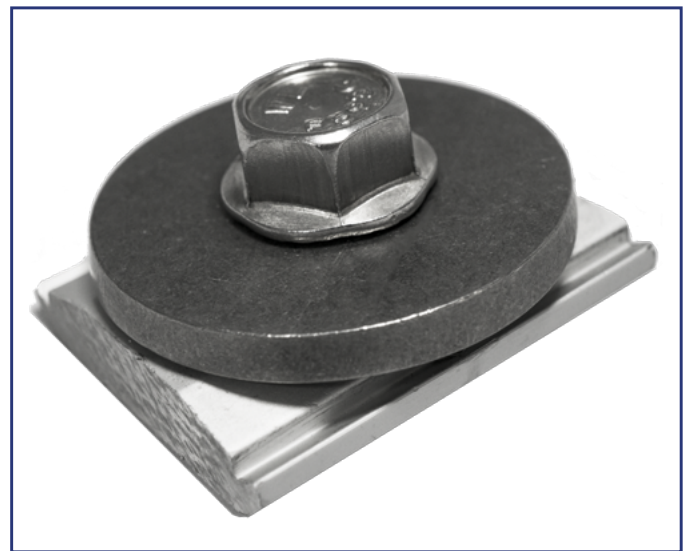


MLPE Rail Attachment Kit

The SnapNrack MLPE (Module Level Power Electronics) Rail Attachment Kit is an efficient solution for attaching Enphase microinverters and SolarEdge optimizers directly to SnapNrack rails. The MLPE Rail Attachment Kit comes pre-assembled, installs to microinverters and optimizers with a single 1/2" socket and utilizes our bonding channel nuts for Snap-In attachment to the rail.

The attachment kit has been designed, tested and certified to work with Enphase and SolarEdge products under SnapNrack's UL 2703 listing, removing any need for WEEBs. Both the microinverter and optimizer are bonded to the system through the MLPE Kit and the attachment to the rail.

- UL 2703 certified with Enphase microinverters and SolarEdge optimizers
- Microinverter and optimizers are bonded to the system through the MLPE Kit and it's attachment to the rail
- No need to bond optimizers with ground lugs and bare copper
- When using microinverters*, ground lugs and bare copper are not required to bond module rows, reducing labor and material costs
- Removes any need for WEEBs
- Installs with a single 1/2" socket, comes pre-assembled and easily snaps into rails



242-92093

Features Include



Snap in Hardware



Single Tool Installation



No Cutting or Drilling



Integrated bonding



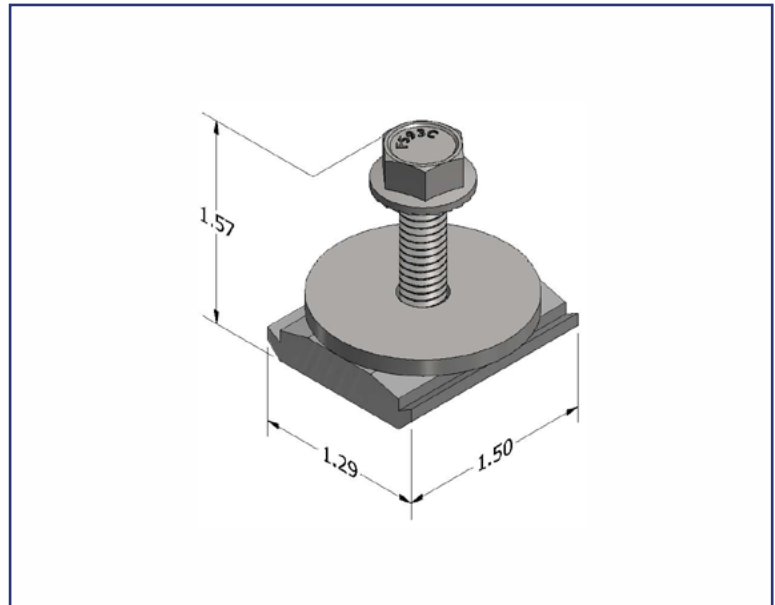
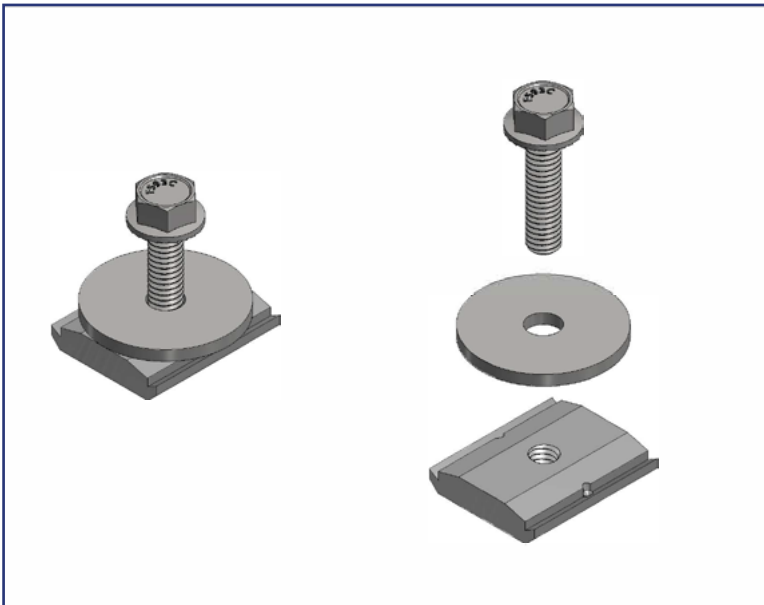
UL 2703 Certified

UL 2703 Listed with



MLPE Rail Attachment Kit Assembly

MLPE Rail Attachment Kit Dimensions



MLPE RAIL ATTACHMENT KIT TECHNICAL DATA

Materials	<ul style="list-style-type: none"> • Aluminum channel nut • Stainless steel bolt and washer
Material Finish	Silver anodized aluminum
Design Uplift Load	340 lbs
Torque Specification	10-16 ft lbs

*Note: 2 or more microinverters are required to bond module rows without ground lugs and copper wires.