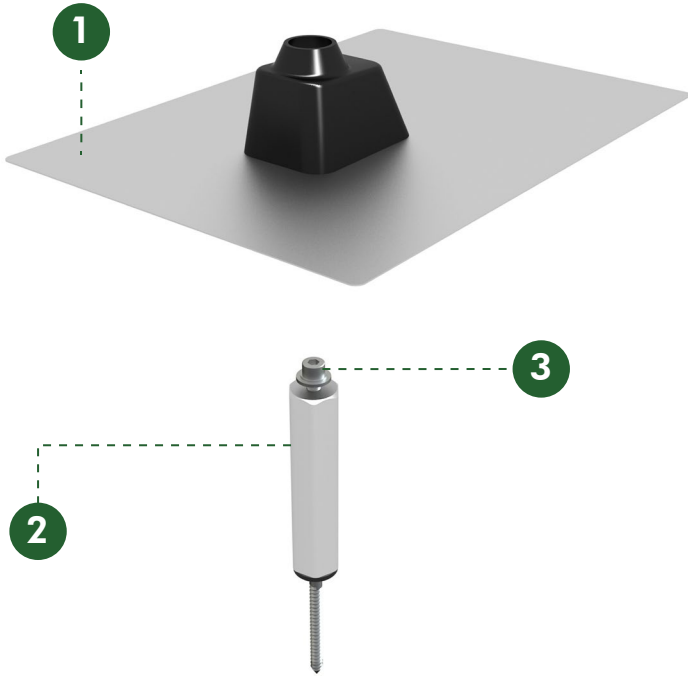


TopTile Rafter Mount

28mm (1-1/8") Hex Socket is used to install the TopTile stanchion



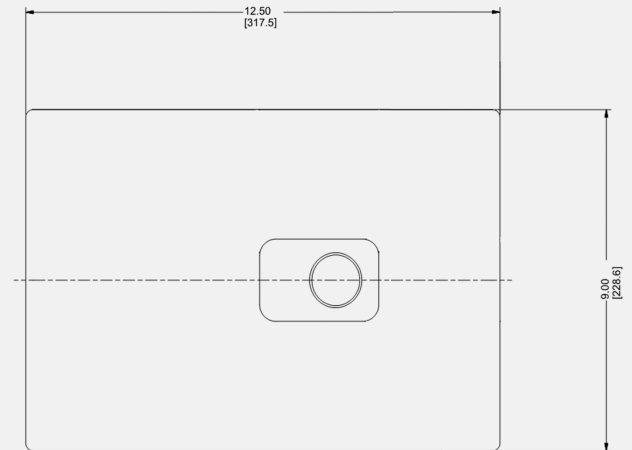
Part Description: 5" TopTile Rafter Mount
Part No.: K10466-005

Part Description: 7" TopTile Rafter Mount
Part No.: K10466-007

Part Description: 8" TopTile Rafter Mount
Part No.: K10466-008

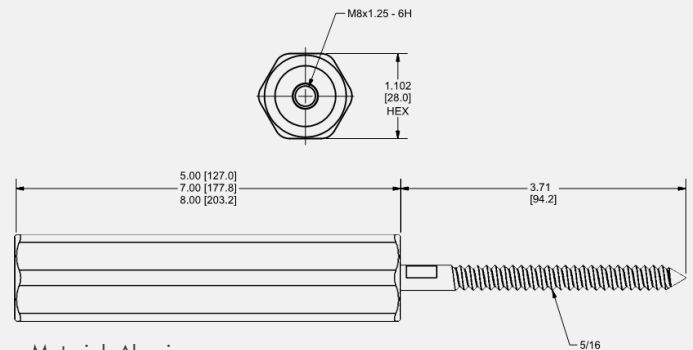
Item No.	Description	Qty in Kit
1	Flashing with EPDM Sealant Cover, 9"X12.5"	1
2	Rafter Stanchion Assembly <ul style="list-style-type: none"> • Rafter Stanchion • Hanger Bolt 5/16X3.5 • Washer 	1
3	SEM Cap Screw Assembly <ul style="list-style-type: none"> • SEMS Cap Screw M8X20 • M8 Fender Washer 	1

1. Flashing with EPDM Sealant Cover



Material: Aluminum
Finish: Silver Powder Coating

2. Rafter Stanchion Assembly



Material: Aluminum
Finish: Silver Powder Coating + Stainless Steel hardware

3. SEM Cap Screw Assembly

