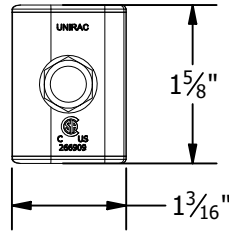
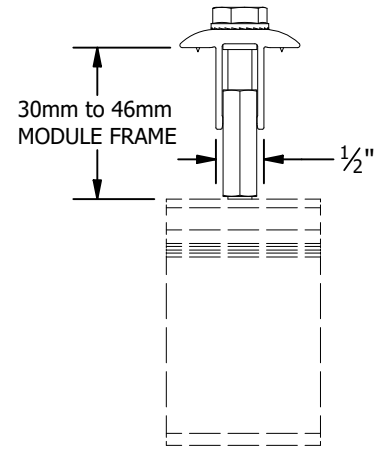
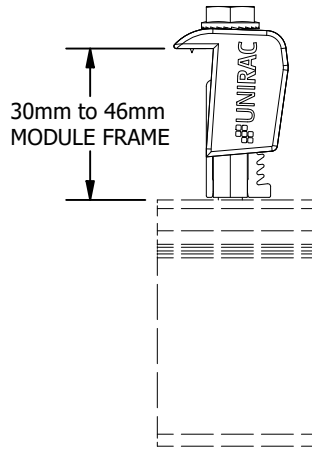
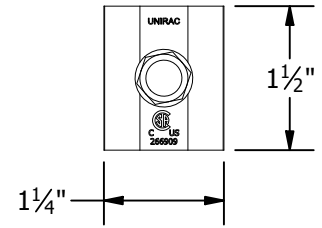


PART # TABLE	
P/N	DESCRIPTION
302045M	UNIVERSAL AF MID CLAMP - MILL
302045D	UNIVERSAL AF MID CLAMP - DRK
302050M	UNIVERSAL AF END CLAMP - MILL
302050D	UNIVERSAL AF END CLAMP - DRK

UNIVERSAL AF  
END CLAMP

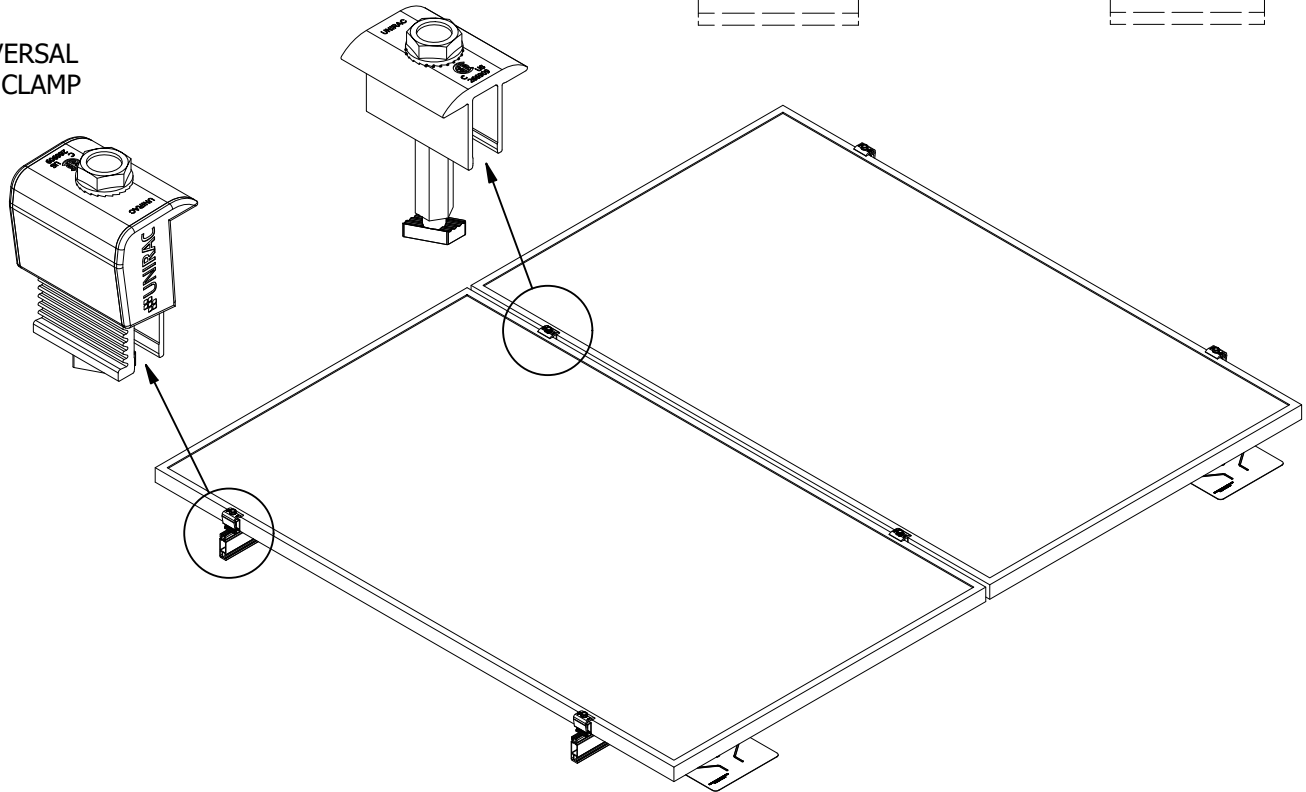


UNIVERSAL AF  
MID CLAMP



UNIVERSAL  
MID CLAMP

UNIVERSAL  
END CLAMP



1411 BROADWAY BLVD. NE  
ALBUQUERQUE, NM 87102 USA  
PHONE: 505.242.6411  
WWW.UNIRAC.COM

PRODUCT LINE:	SOLARMOUNT
DRAWING TYPE:	PART & ASSEMBLY
DESCRIPTION:	UNIVERSAL AF CLAMPS
REVISION DATE:	9/28/2020

DRAWING NOT TO SCALE  
ALL DIMENSIONS ARE  
NOMINAL

PRODUCT PROTECTED BY  
ONE OR MORE US PATENTS  
LEGAL NOTICE

SM-A01B

SHEET