

Specifications

Usable Capacity (95% DOD)	10 kWh
Nominal power rating (Grid-tied output at 40°C)	4.8 kW
Weight (approximate)	348 lbs
Install dimensions W"/H"/D" (adjustable height from ground)	27 / 68 / 11 27 / 73 / 11 (with elevated legs)
Grid integration	AC coupled
Applications	Time-of-use Self consumption Backup
Usable capacity	5 kWh per battery module
Inverter efficiency	94.4% peak
On-grid pass-through	35 A
Roundtrip efficiency % (Grid <> Battery)	≥85%
Operation temperature range	14°F - 122°F 41°F - 104°F (MAX power)
System cooling	Natural convection
Comm. ports	Ethernet
Control	API available to select partners
Noise emission	<25 dB
Total harmonic distortion	<5%
Maximum compatible PV inverter	6kW

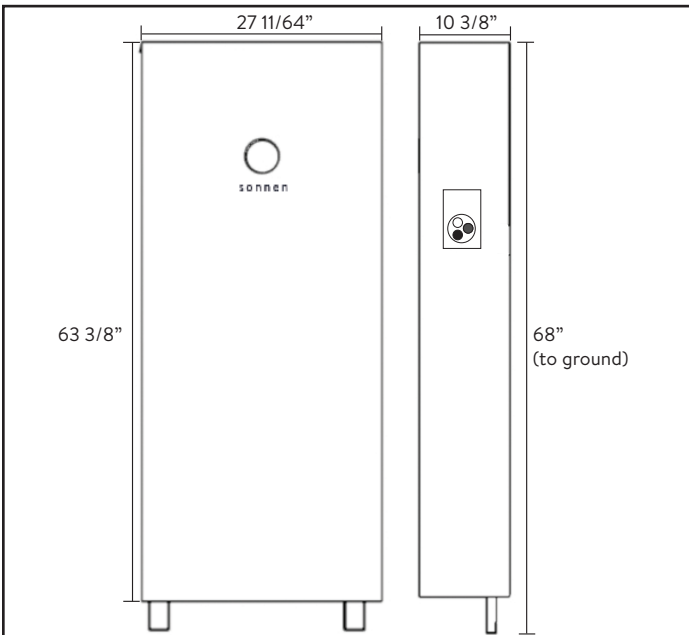


Fig. 2 Storage system dimensions

Compliance information

Certifications	UL1741, UL1741SA, UL1973, UL9540, UN38.3
Grid connections	IEEE 1547, IEEE 2030.5, Rule 21
Transient protection	IEEE C62.41 Class B
EMC / EMI protection	FCC Part 15 Class B (inverter)
Enclosure Rating	Type 12

Battery specification



Nominal DC voltage	102 VDC
DC battery input voltage	80 - 115 VDC
Max charge current	40 A per module
Cell discharge	5 kWh with 100% DoD
Cell chemistry	Lithium Iron Phosphate
Over-current Protection	Fuse protection

Off-grid specification

Nominal Off-Grid current (Continuous)	4.8 KVA
Max AC Off-Grid current (Max 30min)	5.52 KVA
Max AC Off-Grid current (Max 5s)	7.2 KVA
Max AC Off-Grid current (Max 100ms)	8.64 KVA

Table 1 Specifications

Key components

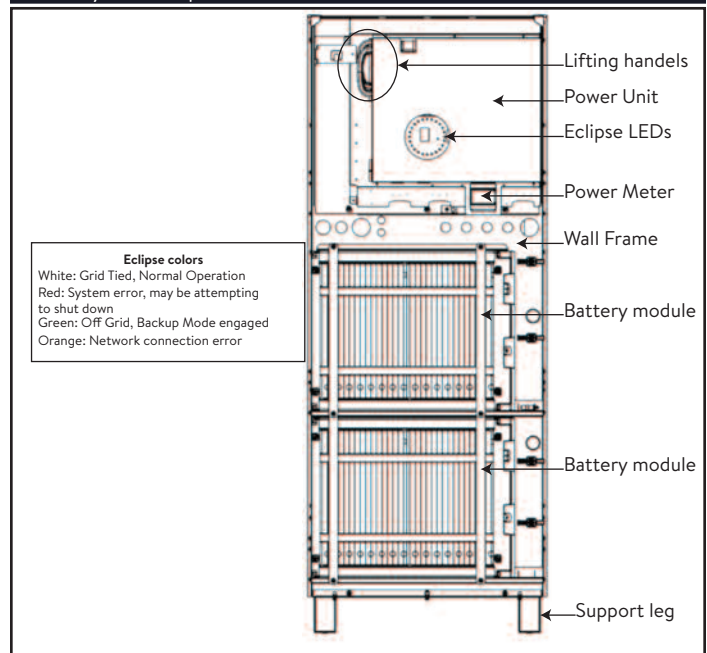


Fig. 3 sonnenCore key components