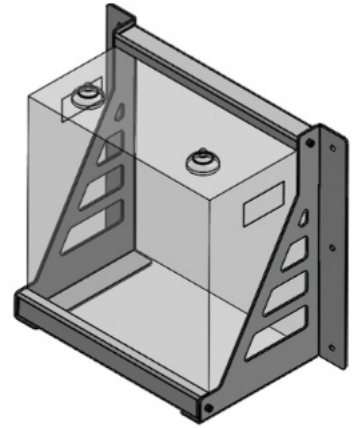
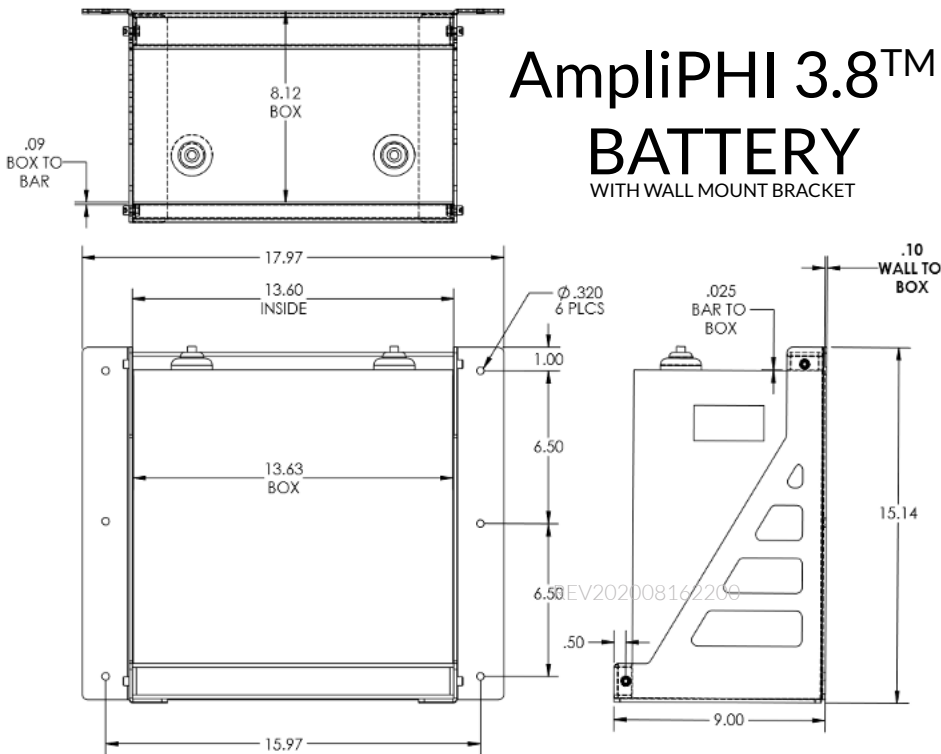
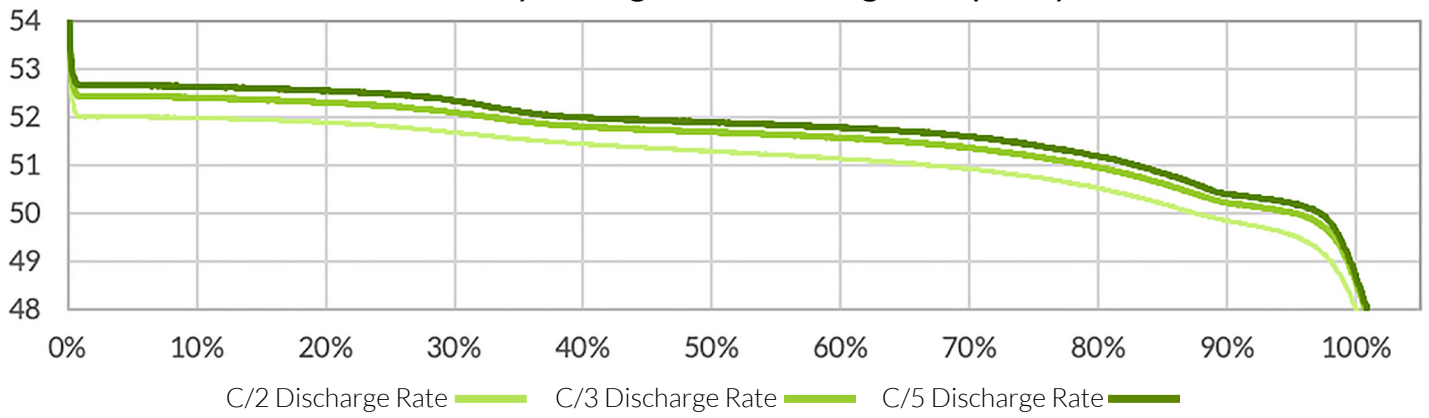




## 48V Battery Voltage VS. Discharged Capacity



Terminals	3/8 IN	10 MM
Battery Cables	6 AWG MINIMUM	
<p>Refer to the Integration Guide section of SimpliPhi's <a href="#">Product Documentation</a> web page for wiring instructions, inverter and/or charge maintain PHI Warranty.</p>		

